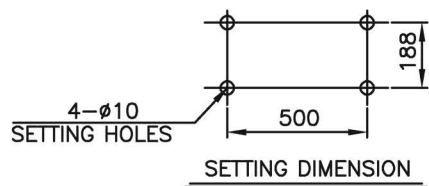
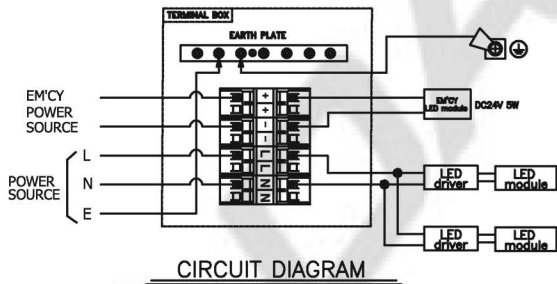
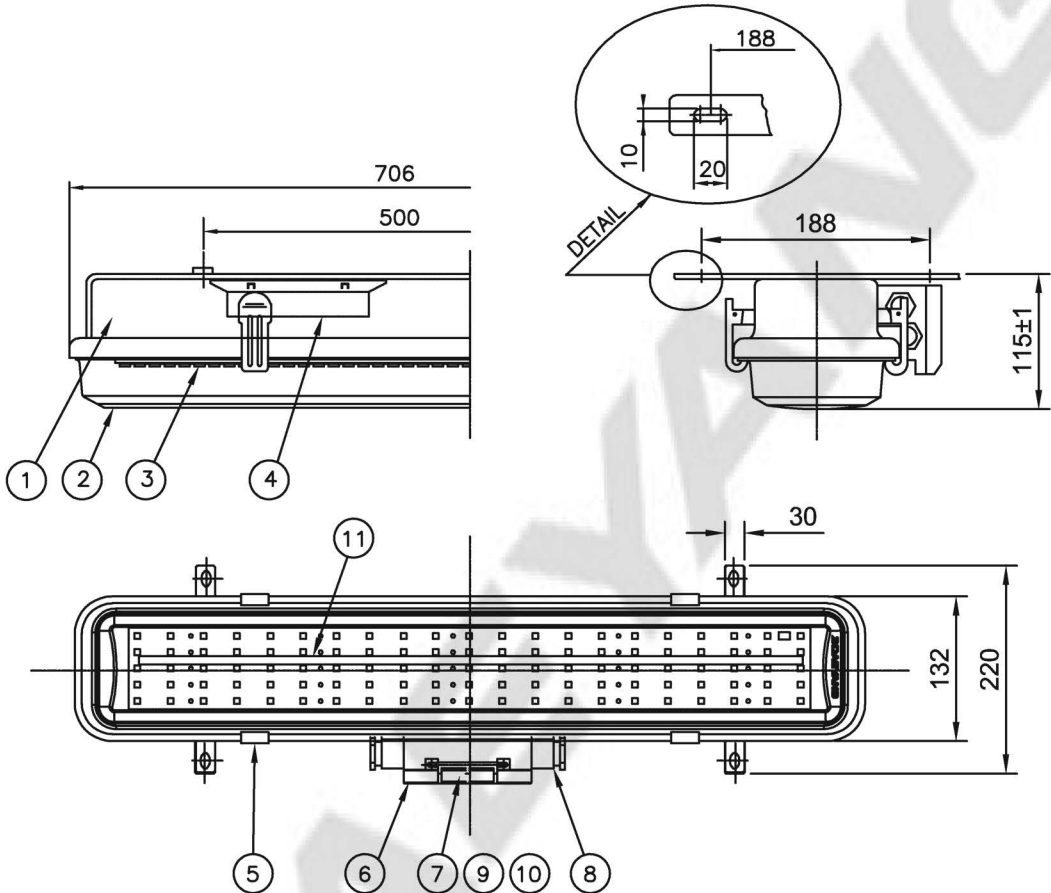


CAPACITY	SYMBOL/ SERIAL NO.	CIRCUIT DIAGRAM
AC100-240V, 50/60Hz		
25W / DC24V, 5W		



11	EM'CY LED module	-	1	DC24V	6	TERMINAL BOX	POLYCAR-BONATE	1	
10	TERMINAL BLOCK	-	1	CLAMPING 4P	5	LATCH	STAINLESS STEEL 304	4	
9	INSIDE EARTH BOLT	STAINLESS STEEL 304	1		4	LED driver	-	1	
8	CABLE GLAND	NYLON	4	ø12.1~ø15.5	3	LED module	-	1	5,000K±300
7	TERMINAL BOX COVER	POLYCAR-BONATE	1		2	GLOBE	POLYCAR-BONATE	1	MILKY
NO	NAME OF PARTS	MATERIAL	Q'TY	REMARKS	1	BODY	STEEL	1	
NO	NAME OF PARTS	MATERIAL	Q'TY	REMARKS	NO	NAME OF PARTS	MATERIAL	Q'TY	REMARKS

APPROVED	B. K. KIM	UNIT	MM
CHECKED		SCALE	N/S
DRAWING	B. I. KIM	COLOR	N-9.3
DATE	2015.12.04	IP	56

TITLE; LED CEILING LIGHT
(SURFACE TYPE)
FOR MARINE USE

	MODEL NO.	LEB125WS-1550SWNMGW15QC50	WEIGHT	3.2 Kg
	DWG NO.	L01480157	SHEET NO.	13